

# Wheel Load Scale WL 101



**The traditional one: worldwide unique in its kind.**

Every single scale is a handmade masterpiece. More than 25'000 times proven worldwide. Maintenance free, mechanical scale for an unbeatable mobility. Certified to OIML R76 class 4 and NIST H44.

Easy to carry due to their light weight and without the need of ramps and connectors. Ready for use at any time.

<b>Application</b>	Measurement of wheel and axle loads of vehicles with pneumatic tires
<b>Range</b>	0...10 t 0...15 t 0...20 000 lb 0...30 000 lb
<b>Temperature Range</b>	-20...+60°C 0...140 °F
<b>Accuracy</b>	OIML No. 76 Class 4 or NIST H 44, optionally with HAENNI works test report or intended for official test
<b>Execution</b>	Corrosion resistant aluminium-alloys and stainless steel , wa-tertight IP 65
<b>Dial</b>	white, black markings, according to OIML o. 76 respectively NIST H44
<b>Lens</b>	Acrylic glass (perspex), un-breakable
<b>Weight</b>	16 kg / 35 lb
<b>Platform height</b>	17 mm / 0.67 in

## Accessories

For accessories as levelling mats, pads for weighing point loads, carrying cases etc. refer to data sheet A8498.

## Operation

Because of its light weight the wheel load scale WL101 is easy to transport and can be used at any time without the need of ramps.

For efficient measurements it is recommended to work with at least two units. Measurements should be made on firm and level ground.

The scale is placed close to in front of the wheel to be tested and the vehicle is driven onto the platform. The wheel load is indicated directly on the dial of the instrument.

## Official Test

In most countries the wheel load scale WL 101 is approved by official test laboratories.

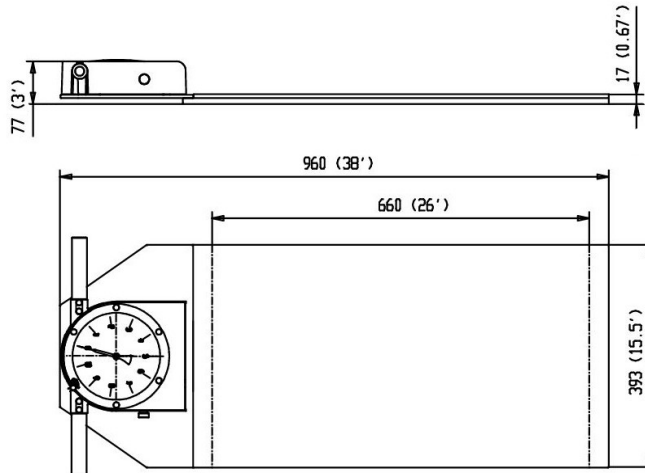
## Selection Chart

<b>Ordering example:</b>	<b>WL 101 /</b>	<b>4 1 1 . 1 1 1 / 10Y / ...</b>
<b>Temperature range and standard</b>	- 20 ... + 60°C OIML No. 76 Cl.4 0 ... 140°F NIST H 44 Cl. 4	<b>4 1 1 . 1 1 1</b> <b>6 1 1 . 1 1 1</b>
<b>Ranges</b>	0 ... 10t 0 ... 15t 0...20 000 lb 0...30 000 lb	<b>10Y</b> <b>20Y</b> <b>60Y</b> <b>70Y</b>
<b>For official test</b>	The ordering code is determined after the approval procedure	



# Wheel Load Scale WL 101

## Dimensions



## Technical data

Execution	OIML <sup>1)</sup>		NIST <sup>1)</sup>	
Standard	OIML No. 76 Class 4		NIST H 44 Class 4	
Range	0...10 t, 0...15 t		0...20000lb	0...30000 lb
Division	50 kg		50 lb	100 lb
Accuracy	on calibration	± 25 kg (up to 2,5 t) ± 50 kg (2,5 t...10 t) ± 75 kg (10 t...15 t)	± 50 lb (up to 2500 lb) ± 100 lb (2500...10 000 lb) ± 150 lb (10 000...20 000 lb)	± 100 lb (up to 5000 lb) ± 200 lb (5000...20 000 lb) ± 300 lb (20000...30 000 lb)
	in operation	± 50 kg (up to 2,5 t) ± 100 kg (2,5 t...10 t) ± 150 kg (10 t...15 t)	± 100 lb (up to 2500 lb) ± 200 lb (2500...10 000 lb) ± 300 lb (10 000...20 000 lb)	± 200 lb (up to 5000 lb) ± 400 lb (5000...20 000 lb) ± 600 lb (20 000...30 000 lb)
Loading limit	0...10 t: 12,5 t 0...15 t: 16 t		22 000 lb	33 000 lb
Permissible limit per area	0...10 t: 12 kg/m <sup>2</sup> 0...15 t: 15 kg/m <sup>2</sup>		170 lb/in <sup>2</sup>	210 lb/in <sup>2</sup>
Loading limit per area	0...10 t: 24 kg/m <sup>2</sup> 0...15 t: 30 kg/m <sup>2</sup>		340 lb/in <sup>2</sup>	430 lb/in <sup>2</sup>
Temperature range	in operation: -20°C .... +60°C storage: -30°C .... +60°C		0 °F .... 140 °F -20 °F .... 140 °F	
Type of protection	IP 65			
Operating site	Firm and level ground, max. 10 mm bend through, max. 5% slope (≈ 3°)			
Dimensions	platform height	17 mm	0.67 in	
active surface		660 x 380 mm (12 kg/cm <sup>2</sup> ) 660 x 393 mm (6 kg/cm <sup>2</sup> )	26 x 15 in (170 lb / in <sup>2</sup> ) 26 x 15.5 in (80 lb / in <sup>2</sup> )	26 x 15 in (210 lb / in <sup>2</sup> ) 26 x 15.5 in (100 lb / in <sup>2</sup> )
	overall size	ca. 960 x 77 x 393 mm		ca. 38 x 3 x 15.5 in

- OIML is the abbreviation for Organisation Internationale de Métrologie Légale. NIST is the abbreviation for National Institute of Standards and Technology (USA)
- In practical operation the complete surface may be used, because the ground pressure in the marginal area of the tyre foot print does not exceed 6 kg/cm<sup>2</sup>.

